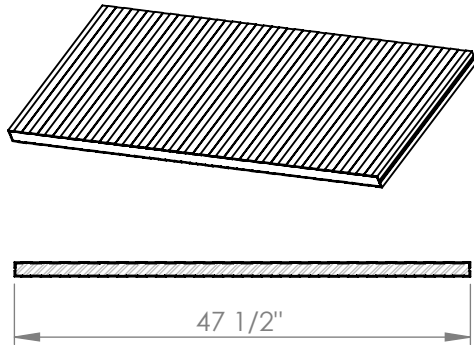


ABPI PANEL PRODUCTS

FOR INDUSTRIAL, AGRICULTURAL, & COMMERCIAL APPLICATIONS

ABPI - SQUARE EDGE - DOUBLE SKIN



TECHNICAL INFORMATION

Square Edge Panel

Panel Thickness: 1 1/2"

Panel Width: Square Edge 47 1/2" coverage

Lap Joint / Sleeve Joint Panel

Panel Thickness: 1 1/2", 2", 2 1/2", 3", 4" & 6"

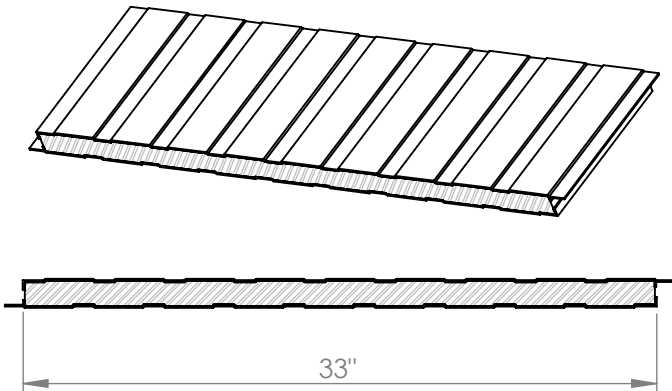
Panel Width: Lap / Sleeve Joint - 33" coverage

Panel Length: Minimum: 4'-0"

Maximum: 40'-0"

other lengths available on request**

ABPI - LAP JOINT - DOUBLE SKIN (UTILIDOR)



Skin Thickness: Standard 26 ga.

other gauges available by request**

Skin Materials: Galvanized (G90)

Galvalume

Painted

Stainless Steel by request**

Insulation: Polyurethane

Density: 2.5 lbs./cu.ft. minimum

R-Value: R 7.14 / inch

Fire Testing in accordance with CAN/ULC S102-M88

Flame Spread: 65

Smoke Development: 210

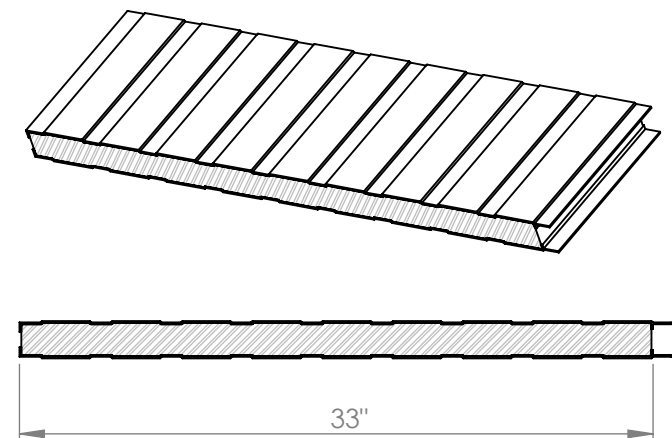
C.F.I.A. APPROVAL (on selected panels- # A399)

WEIGHT CHART: lbs/sq.ft.

Double Skin Skin Material	Panel Thickness						
	Ga.	1.5"	2"	2.5"	3"	4"	6"
Galvanized	26	2.2	2.3	2.4	2.5	2.7	3.1
Galvalume	26	2.1	2.2	2.3	2.4	2.6	3.0
Painted	26	2.1	2.2	2.3	2.4	2.6	3.0
Stainless Steel	26	1.9	2.0	2.1	2.2	2.4	2.8

Please contact ABPI's Technical Department for more info.

ABPI - SLEEVE JOINT - DOUBLE SKIN (UTILIDOR)



A Better Panel Inc.
Box 6165
4006 - 60th Ave
Innisfail, AB
T4G 1S8
www.abetterpanel.com
ph: 403-227-4545
fax: 403-227-4535
toll free: 1-877-352-7979

	NAME	DATE		
DRAWN	SD	Nov./12		
CHECKED				
ENG APPR.				
MFG APPR.				
COMMENTS:	SIZE DWG. NO.		REV.	
DO NOT SCALE DRAWING	A ABPI PANEL-1			
	SCALE: 1:1		SHEET 1 OF 1	